

Request for Bids

Repair of the Wythe-Bland Waste Transfer Station

Wythe-Bland Joint Public Service Authority

October 29, 2019

Pre-Bid Meeting: November 14, 2019 at 10:00 am
169 Kents Lane
Wytheville, VA 24382

Sealed Bids Due: December 2, 2019 at 2:00 pm
Wythe County Administration Building,
340 South Sixth Street
Wytheville, VA 24382

I. INSTRUCTION TO BIDDERS

A. Bid Submittal

The Wythe Bland Joint Public Service Authority will receive bids from qualified contractors to make repairs to the Transfer Station until 2:00 p.m. on December 2, 2019. The bids shall be opened publicly at 2:30 p.m. at the Wythe County Administration Building, 340 South Sixth Street, Wytheville, VA 24382. The bids must be sealed and clearly marked "Bids for Transfer Station Repair". The address for submitting proposals is 340 South Sixth Street, Wytheville, Va. 24382. Bids received after 2:00 p.m. local prevailing time shall not be accepted.

B. Bid Information

Bid specifications for the repair of the Transfer Station are attached, along with the engineered drawings.

C. Repair Work Schedule

It is vital that the work of the Transfer Station be able to continue during the repairs. The Transfer Station is operational Monday through Friday. The bidder shall provide a work schedule that details how they propose for the repairs to be made without inhibiting the operation of the Transfer Station.

D. Site Inspection / Pre-Bid Meeting

There will be a non-mandatory pre-bid meeting at the Transfer Station, located at 169 Kents Lane, Wytheville, Virginia, on November 14, 2019 at 10:00 am.

E. Withdrawal of Bids

Bids may be withdrawn by written request received prior to the bid opening. After bids are opened, they may not be withdrawn for a period of six months.

F. Pre-Award Cost

The Request for Bids does not commit the JPSA to pay any cost incurred or associated with the development, preparation, and/or presentation of the proposal submitted by the bidder. All costs incurred by the bidder in responding to the RFB are the responsibility of the bidder.

G. Rejection of Bids

The JPSA reserves the right to reject any bid if investigation of the bidder fails to satisfy the JPSA that such a bidder is properly

qualified to carry out the obligations and to complete the work contemplated therein. A bid considered irregular may be rejected if it shows serious omissions, alterations to the bid form, additions not called for, conditions or unauthorized alterations, or irregularities of any kind. The JPSA reserves the right to reject any or all bids for any reason it deems necessary and to waive any informality, technical error as may be deemed necessary for the best interest of the JPSA.

H. Insurance

The successful bidder shall provide a copy of their Workmen's Compensation, Automobile Public Liability and Property Damage and General Liability. The successful bidder shall provide and maintain insurance in the amount of \$1,000,000. The successful bidder shall provide the JPSA a certificate of insurance or other evidence as required which shows the insurance is in force and which requires that the JPSA be notified of cancellation. The JPSA shall be named as coinsured on the policy.

I. Information not guaranteed

Information provided in the Request for Bids relating to existing conditions is from the best information available. All such information on existing conditions is furnished only for the information and convenience of the bidder, and the bidder should use his/her own judgement and prerogatives in evaluating, checking, and verifying the information provided. The JPSA shall make no guarantees and representations that the current estimated daily and annual tonnages will continue in the future.

J. Right to Inspect

The JPSA reserves the right to employ or assign an authorized representative to inspect the work performed by the successful bidder.

K. Questions

Questions associated with this RFB shall be directed to:

Johnny Kincer
Wythe County Engineer
jdkincer@wytheco.org
(276) 223-4500

L. Term of Contract

When the contract is awarded by the JPSA, the estimated beginning date shall be within 30 days of notification and work shall be completed within a negotiated time frame between the

contractor and the JPSA. No allowance shall be made for adjustment of the contract price beyond what is stated in the RFB.

II. GENERAL SPECIFICATION

A. Background

The JPSA service area's population in 2019, according to the 2010 Census figures, was approximately 36,000 +/- people. The JPSA service area is approximately 800 square miles. The total solid waste generated in the JPSA was estimated at 120 tons per day in 2018 with peak days (Mondays) around 180 tons and low days (Thursday and Saturday) approximately 80 tons.

B. Definitions

Addenda – Any written or graphic modification or interpretation of the RFB documents issued by JPSA prior to the bid openings.

Bid Proposal – The bidder, applicant, person, firm, or corporation's written response to this Request for Bid Proposal. Used interchangeably with "Proposal."

JPSA – Wythe Bland Joint Public Service Authority

Contractor – The applicant, person, firm, corporation, or partnership proposing to provide services for transfer station service, disposal of solid waste in a sanitary landfill, and who submits a written bid in response to this Request for Bid. Used interchangeably with "bidder."

Inspector – An authorized representative or JPSA assigned to inspect the work performed or being performed by the Contractor(s).

Request for Bid – All documents including addenda issued by JPSA as part of this proposal. Used interchangeably with "RFB."

VDEQ – VA Department of Environmental Quality

Transfer Station – A combination of structures, machinery or devices at a place or facility which receives solid waste taken from municipal and private collection vehicles and which is placed in other transportation units for movement to another solid waste management facility.

C. Scope of Services

The scope of services for this project is stated in the attached Bid Specifications Document.

D. Organizational Qualifications

At a minimum, the bid should include the following information:

- (i) A list of key personnel who will be involved in the operation and management of the proposed project(s).
- (ii) Additional services that may be required but not included in the Request for Bid.

F. No Assignment or Subletting

Neither the contract, nor any of the payments to become due under it, shall be assigned in whole or in part by the Contractor, nor shall any part of the work be sublet by the contractor, without the prior written consent of the Owner, and such consent shall not relieve the Contractor from full responsibility and liability for the work and for the due performance of all terms and conditions of the contract.

G. Nondiscrimination

The Contractor shall not discriminate against any person because of race, sex, age, creed, color, religion or national origin.

H. Indemnity

The Contractor will indemnify and save or hold harmless the JPSA, its officers, agents, servants, and employees from and against any and all suits, actions, legal proceedings, claims, demands, damages, costs, expenses, and attorney's fees to the extent resulting from a willful or negligent act or omission of the Contractor, its officers, agents, servants, and employees in the performance of the contract; provided, however, that the Contractor shall not be liable for any suits, actions, legal proceedings, claims, demands, damages, costs, expenses and attorneys' fees arising out of the award of the contract of a willful or negligent act or omission of the JPSA, its officers, agents servants and employees.

In addition to the liability imposed on the Contractor on account of damage to property or personal injury, including death, arising through operations under this contract, the Contractor agrees to indemnify the Owner against any expense, liability or payment damage for property or personal injury, including death and including injuries to the Contractor's employees, caused or in any manner arising from operations hereunder, including the use by the Contractor of equipment furnished by the Owner.

G. Licenses and Taxes

The Contractor shall obtain all licenses and permits (other than the license and permit granted by the contract) and promptly pay all taxes required by the federal, state and/or county authorities.

H. Performance / Payment Bond

At the JPSA's request, the successful bidder shall be required to furnish a performance and payment bond or other security as a guarantee of performance. All Proposals must contain a statement of the bidder's willingness to furnish such security. The performance and payment bond shall be for the value of one year's cost of service to the JPSA.

I. Contract Terms

All items requested in this RFB must be included with the bid. The bidder must indicate that this RFB and the bidder's written material submitted in response will be included as part of the contract. All contracts between parties shall be governed by and enforced in accordance with laws of the State specified.

J. Penalties

The final contract shall not include any penalties of any kind to the JPSA.

K. Evaluation Criteria

All bids submitted on time will be reviewed and considered. Selection will be based upon, but not limited to, the following considerations:

- BID Price
- Expertise of key project team
- Prior experience of same type of project
- Understanding of Scope of Work
- Prior experience with local governments
- Financial strength and track record
- Cost factors

SECTION A
COMPANY AFFIDAVIT

The affiant states with respect to this bid to JPSA:

I (we) hereby certify that if the contract is awarded to our firm that no member or members of the governing body, elected official or officials, employee or employees of said JPSA, or any person representing or purporting to represent the JPSA, or any family member including spouse, parents, or children of said group, has received or has been promised, directly or indirectly, any financial benefit, by way of fee, commission, finder's fee or any other financial benefit on account of the act of awarding and/or executing a contract.

I hereby certify that I have full authority to bind the company and that I have personally reviewed the information contained in the RFB and this bid, and all attachments and appendices, and do hereby attest to the accuracy of all information contained in this bid, including all attachments and exhibits.

I acknowledge that any misrepresentation will result in immediate disqualification from any consideration in the bid process.

I further recognize that the JPSA reserves the right to make its award for any reason consideration advantageous to the JPSA. The company selected may be without respect to price or other factors.

Signature: _____

Date: _____

Name: _____

Phone: _____

Title: _____

Firm Name: _____

Type of business organization (For example: corporation, LLC, partnership, proprietorship)

Address: _____

City, State, Zip: _____

BID FORM

Bidder agrees to perform all the work described in the bid specifications, and the attached general scope of work, for the following bid amount. In addition to the total bid, the bidder is to also provide a detailed bid breakdown, as well as a work schedule that does not inhibit the operations of the Transfer Station Mondays through Fridays.

Transfer Station Repair: Total Bid Amount _____

Signature

Company

Title

Address

Date

Telephone

**BID SPECIFICATIONS FOR REPAIR
OF THE
WYTHE/BLAND WASTE
TRANSFER-STATION**

SPECIFICATIONS

UNIT NO	UNIT DESCRIPTION	Page NO
	General Scope of Work	1
1	Engineering	2
2	Materials and Services by Owner	3
3	Materials Service by Contractor	4,5
4	Painting	6
5	Structural Steel	7

GENERAL SCOPE OF WORK

The Joint Public Service Authority of Wythe County and Bland County operates the Wythe/Bland solid waste transfer station located at 169 Kents Lane, Wytheville, Virginia. The facility has been in operation for 26 years and structural repairs are needed. The joint public service authority is seeking bids for the structural repair. The bid covers: removal of the existing bin support structure and bin hopper wall and installing a new structure and wall. Refer to exhibit no. 1.

The contractor is to include a work schedule based upon the week end work for scheduled down time as agreed to by the owner and contractor.

UNIT NUMBER 1 ENGINEERING

The Contractor will provide all engineering and management services required to successfully complete the project. This includes, but is not limited to, general arrangement drawings, platework design, structural drawings and detailed drawings. The Contractor is also expected to provide a construction schedule prior to commencing construction. Should any phase of the project fail to confirm to the Contractor schedule, the Owner may request and updated version that will be supplied within 2 weeks of demand.

The drawings are provided as part of the project. SEE Exhibit 1
Engineering will be in accordance with ANSL, AISC, AWS and ACT codes.
The drawings enclosed with this document are provided for assisting in the bidding process. They are intended to provide the Contractor with what the Owner considers to be one viable layout if these drawings are used for construction.

UNIT NO 2

MATERIALS AND SERVICES BY OWNER

- 1) Adequate all weather access roads to construction sites and to ground
- 2) storage area for construction material.
- 3) A prepared area for two office trailers, with parking for vehicles.
- 4) Low Voltage Power-The Contractor may use any of the 110V AC outlets in the existing facility
- 5) Medium Voltage Power-480-volt power will be made available for the
- 6) Contractors portable load center. Wiring is by the Contractor.
- 7) Compressed Air -50 CFM at 100 psi ie available in the existing plant.
Connections are by the Contractor. If the Contractors use of the plant air interferes with its operation, the Contractor will provide a portable compressor(s).
- 8) A source of fresh water for dust suppression and wash down lines.
- 9) Federal and state site permitting.
- 10)The Owner will designate as equipment Lay-Down Area. The area is for storing equipment, material and supplies used in the performances of the work.

UNIT NUMBER 3

MATERIALS AND SERVICES BY CONTRACTOR

The Contractor will furnish the following:

- 1) All necessary supervision, labor, tools and equipment to complete the installation as specified herein.
- 2) All equipment and materials specified herein, unless noted furnished by Owner or others.
- 3) Generators for providing construction power and lighting.
- 4) All touch up field paint and its applications.
- 5) All welding rods, oxygen and acetylene required.
- 6) Modification of existing equipment and facilities as required.
- 7) Receiving, unloading, storage, on-site transportation, erection of all Contractor-supplied fasteners, hangers, structural steel, plate-work, structures, and other equipment necessary to complete the work. In the event the Owner supplies any equipment, the Contractor bears responsibility for its unloading and storage.
- 8) Collection and clean-up of all spent welding rods, scrap steel, bolts, containers, and all trash generated in and around all work areas.
- 9) Non-ferrous trash and waste materials dumpsters or trailers. All metallic scrap generated is the property of the Owner and will be placed in their container.
- 10) Field verify dimensions between existing items and between all new or modified construction items prior to starting construction and fabrication and report all discrepancies to Owner.
- 11) Establish proper location of centerlines at the start of construction. Prior to detailing, fabrication, or construction, the Contractor or Fabricator shall; verify all dimensions and information related to all specified equipment and to the engineering drawings provided.
- 12) Supply a portable power center, extension cables and/or cords as required to connect to the Owners power supply.

UNIT NUMBER 3
MATERIALS AND SERVICES BY CONTRACTOR

13) Work Area. Contractor shall partition off all work areas where practical. No one shall be allowed within the partition except for the Contractor and its employees and the Owners representative(s). All safety matters within the partitioned area are the responsibility of the Contractor.

14) Temporary sanitary facilities

15) Shop Drawings.

16) Prior to fabrication or erection the Owner will be supplied with a copy of all drawings (other than details) for approval. The Owner may make alternations to these drawings at no added cost, so long as the changes are not outside of the scope of work, or are a correction of a mutually agreed upon error.

At the end of construction and prior to acceptance, the Owner shall be supplied with one set of all design, shop detail, fabrication, and construction drawings prepared by the Engineer and Fabricator in conjunction with the connection of this facility. These shall be on disc, in AutoCad format. An index is to be included with the drawings.

Unit 4
Painting

- 1) All structural steel and platework shall be shop painted.
- 2) The steel surfaces should be sandblasted in accordance with SSPC-SP-6 cleaning standards. After blasting, the area is to be cleaned to remove all contaminants prior to painting.
- 3) The paint is to be applied in strict accordance with the manufactures recommendations and is not to be applied if the temperature is under 50-degrees.
- 4) Painting shall be a one coat process using Sherwin-Williams DTM paint.
- 5) All painted areas damaged during delivery, storage or installation will be touched up by the Contractor. The damaged areas will be cleaned to the bare surface through use of hand or power tools. It will be solvent cleaned to remove all oils or other contaminants. Painting will be the same dye coat process described above.
- 6) Handrails and guards will be primed as above, but will only receive the first finish coat. Color will be safety yellow. Damaged areas will be touched up as above.

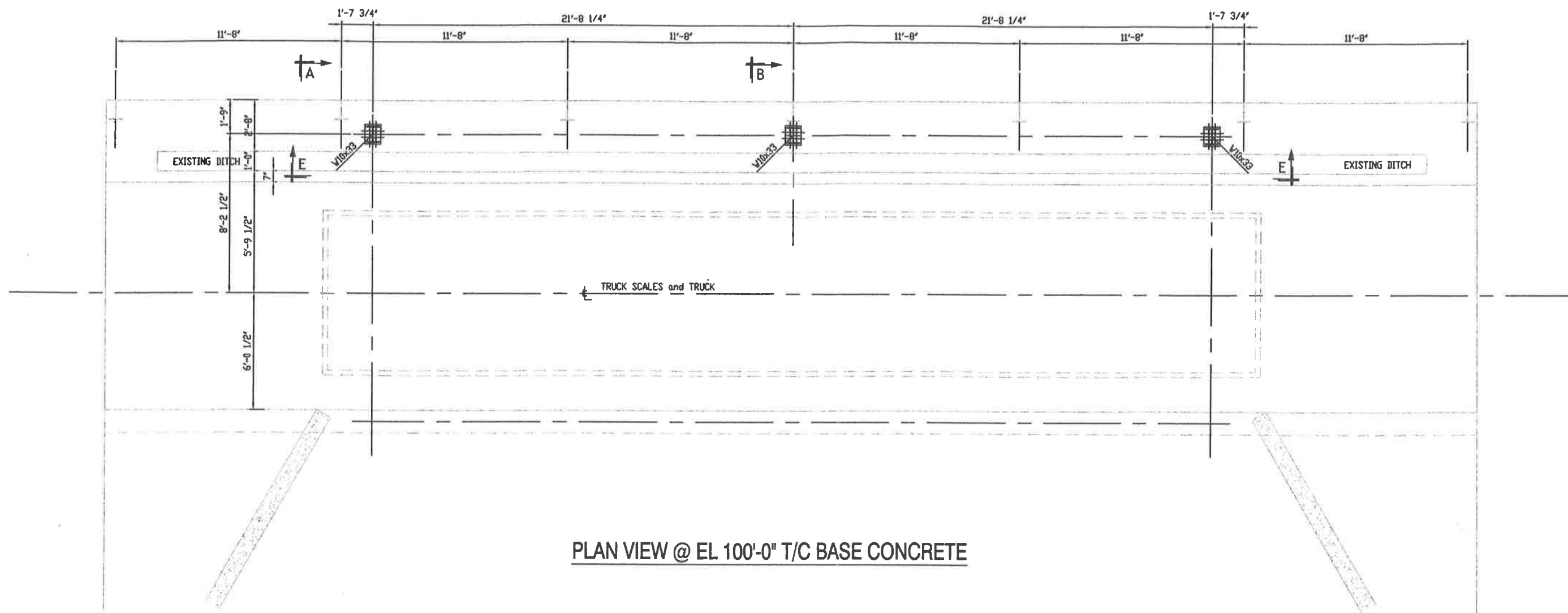
UNIT NO. 5
Structural Steel

All structural steel will only and designed, fabricated and erected in accordance with the latest standard specifications for structural steel for buildings as adopted by AISC. Structural steel will conform in ASTM specifications for ASTM A36 steel unless otherwise noted.

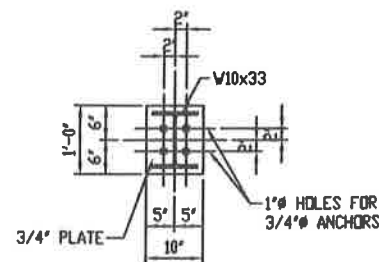
Structural steel will be designed for field-bolted assembly using high strength A325 galvanized bolts with hardened washers, fabricated in the USA only. Bolts will be torqued with wrenches calibrated through use of a Skidmore (or equal) bolt tension calibrator. Each lot and length of bolt is to be tested with this device. In lieu of this requirement, galvanized tension control bolt may be used. Non-loaded members will use galvanized machine bolts or A325 high strength galvanized bolt. Bolts will be visibly marked after they are torqued. Where bolts are used on beveled surfaces, beveled washers will be provided to give full bearing to the nut or bolt. Bolts lengths will be such that they extend no more than 1.4-inch beyond the nuts when tightened. It is unacceptable to use all-thread on any connection. The Owner will check the bolt torque on completed joints on a random basis. Should more than 2% of the bolts fail to reach the torque specified by the Contractor, the Contractor will re-torque all connections at that elevation or in that area.

Improperly matched holes in connected members are not to be enlarged by burning or the use of drift pins. Holes that must be enlarged may be reamed or drilled with the resulting burrs removed prior to bolting. Gas cutting torches may not be used to correct fabrication errors in the structural framing, except on secondary members not under stress. Exceptions will be granted in the event limited room precludes use of a drill or reamer, but this must be reviewed with the Owners representative on a case by case basis.

Exhibit 1
DRAWINGS



PLAN VIEW @ EL 100'-0" T/C BASE CONCRETE



Revision #	Revision Description	Revision Date	Revised By
REVISIONS			

**JERRY L. BAYS ENGINEERING
and ASSOCIATES**

PO BOX 407, MOUNT HOPE, WEST VIRGINIA 25821
922 BROAD STREET, MOUNT HOPE, WEST VIRGINIA 25821
EMAIL: jbeys.ew@gmail.com
MOBILE PHONE 1-304-578-6018

This print and all information thereon is property of Sophia TechFab Services, Inc. is confidential and must not be made public, altered, or copied unless authorized by Jerry L. Bays Engineering & Associates. It is subject to return on demand.

JOB NUMBER
XXXXXXXXXX

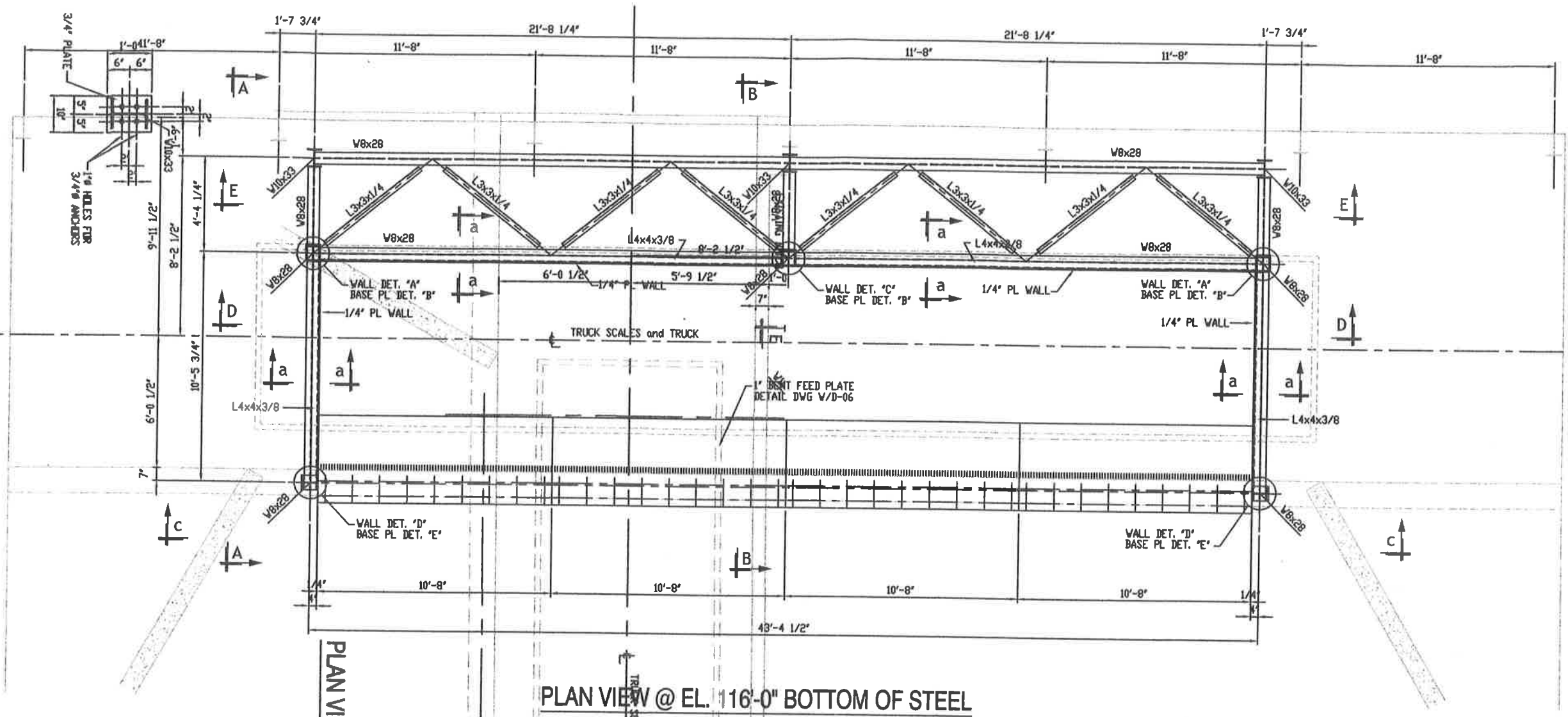
CLIENT:	WYTHE / BLAND SOLID WASTE
LOCATION:	WYTHEVILLE, VIRGINIA
PROJECT:	SOLID WASTE TRANSFER STATION BIN SUPPORT
DRAWING NAME:	PLAN VIEW LAYOUT @ EL. 100'-0" T/CONCRETE

DRAWN BY:	LC Acord	DATE:	OCT-2019	SCALE:	3/8" = 1'-0"
CHECKED BY:		DATE:		UNLESS NOTED	
DRAWING NUMBER:	W / B 01		REVISION:		

REVISIONS

**JERRY L. BAYS ENGINEERING
and ASSOCIATES**
PO BOX 407, MOUNT HOPE, WEST VIRGINIA 25821
922 BROAD STREET, MOUNT HOPE, WEST VIRGINIA 25821
EMAIL: jlbays@jlbays.com
MOBILE PHONE: 1-304-575-8018

This print and all information thereon is property of Jerry L. Bays Engineering & Associates, Inc. It is confidential and must not be made public, altered, or copied without the written consent of Jerry L. Bays Engineering & Associates, Inc.



PLAN VIEW @ EL 100'-0" T/C BASE CONCRETE

PLAN VIEW @ EL. 116'-0" BOTTOM OF STEEL

NOTE:
FOR SECTIONS AND DETAILS
SEE DRAWING W/B-07



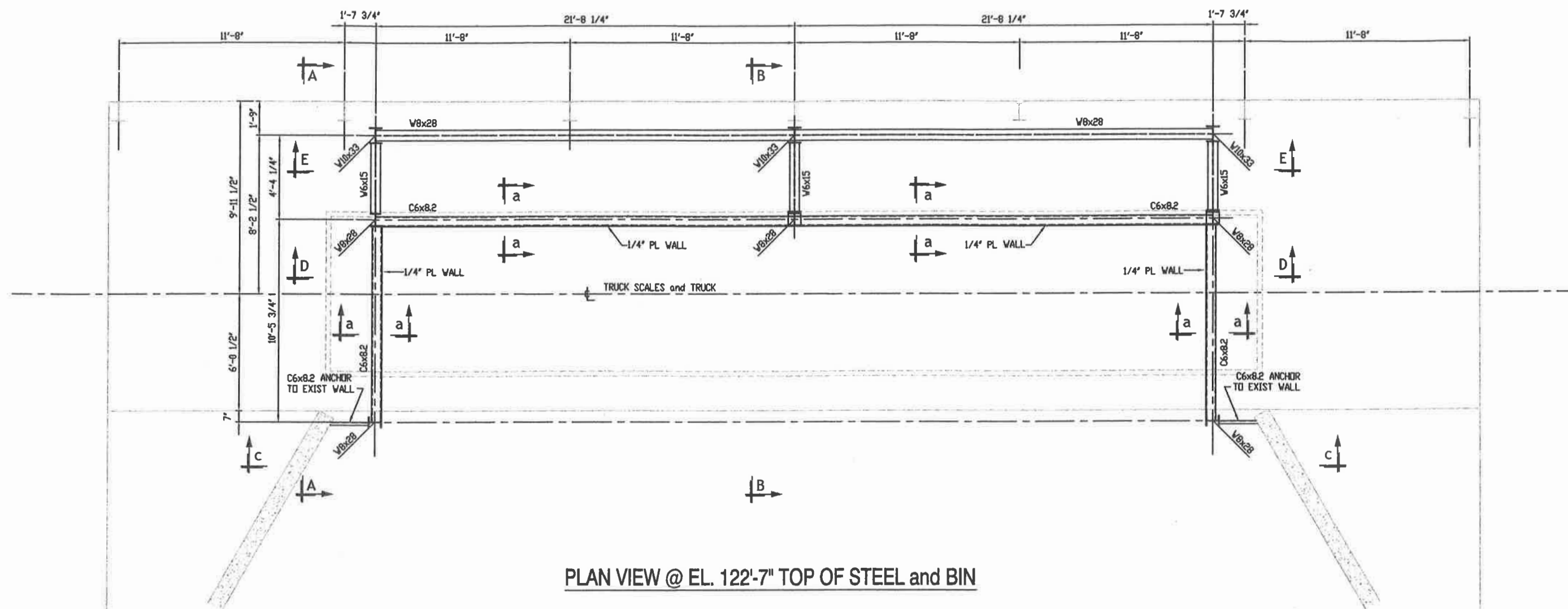
Revision	Description	Date	Revised By

**JERRY L. BAYS ENGINEERING
and ASSOCIATES**
PO BOX 407, MOUNT HOPE, WEST VIRGINIA 25821
922 BROAD STREET, MOUNT HOPE, WEST VIRGINIA 25821
EMAIL: jlbays.ern@gmail.com
MOBILE PHONE: 1-304-575-8018

This print and all information thereon is property of Jerry L. Bays Engineering & Associates, Inc. It is confidential and must not be made public, altered, or copied without the written consent of Jerry L. Bays Engineering & Associates, Inc.

CUSTOMER: WYTHE / BLAND SOLID WASTE
LOCATION: WYTHEVILLE, VIRGINIA
PROJECT: SOLID WASTE TRANSFER STATION BIN SUPPORT
DRAWING NAME: PLAN VIEW LAYOUT @ EL. 116'-0" BOTTOM OF STEEL

DRAWN BY: LC Acord
CHECKED BY:
DATE: OCT-2019
SCALE: 3/8" = 1'-0"
UNLESS NOTED
REVISION:
DRAWING NUMBER: W/B 02



PLAN VIEW @ EL. 122'-7" TOP OF STEEL and BIN

NOTE:
FOR SECTIONS AND DETAILS
SEE DRAWING W/B-07



Revision #	Revision Description	Revision Date	Revised By
REVISIONS			

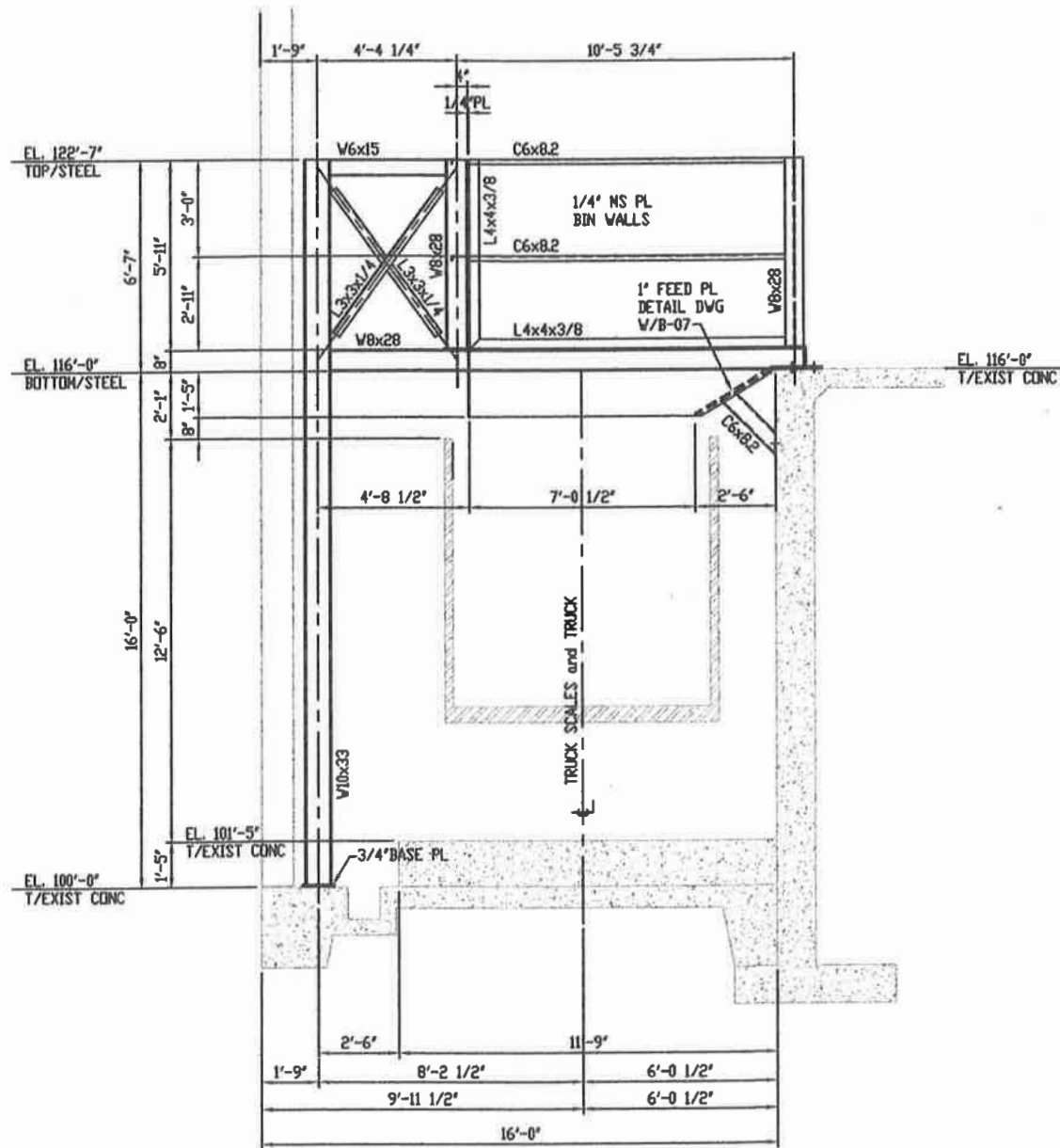
JERRY L. BAYS ENGINEERING and ASSOCIATES
 PO BOX 407, MOUNT HOPE, WEST VIRGINIA 25821
 822 BROAD STREET, MOUNT HOPE, WEST VIRGINIA 25821
 EMAIL: jbays.em@gmail.com
 MOBILE PHONE: 1-304-575-6018

This print and all information therein is property of Sophia TechniWeb Services, Inc. It is confidential and must not be made public, altered, or copied unless authorized by Jerry L. Bays Engineering & Associates. It is subject to return on demand.

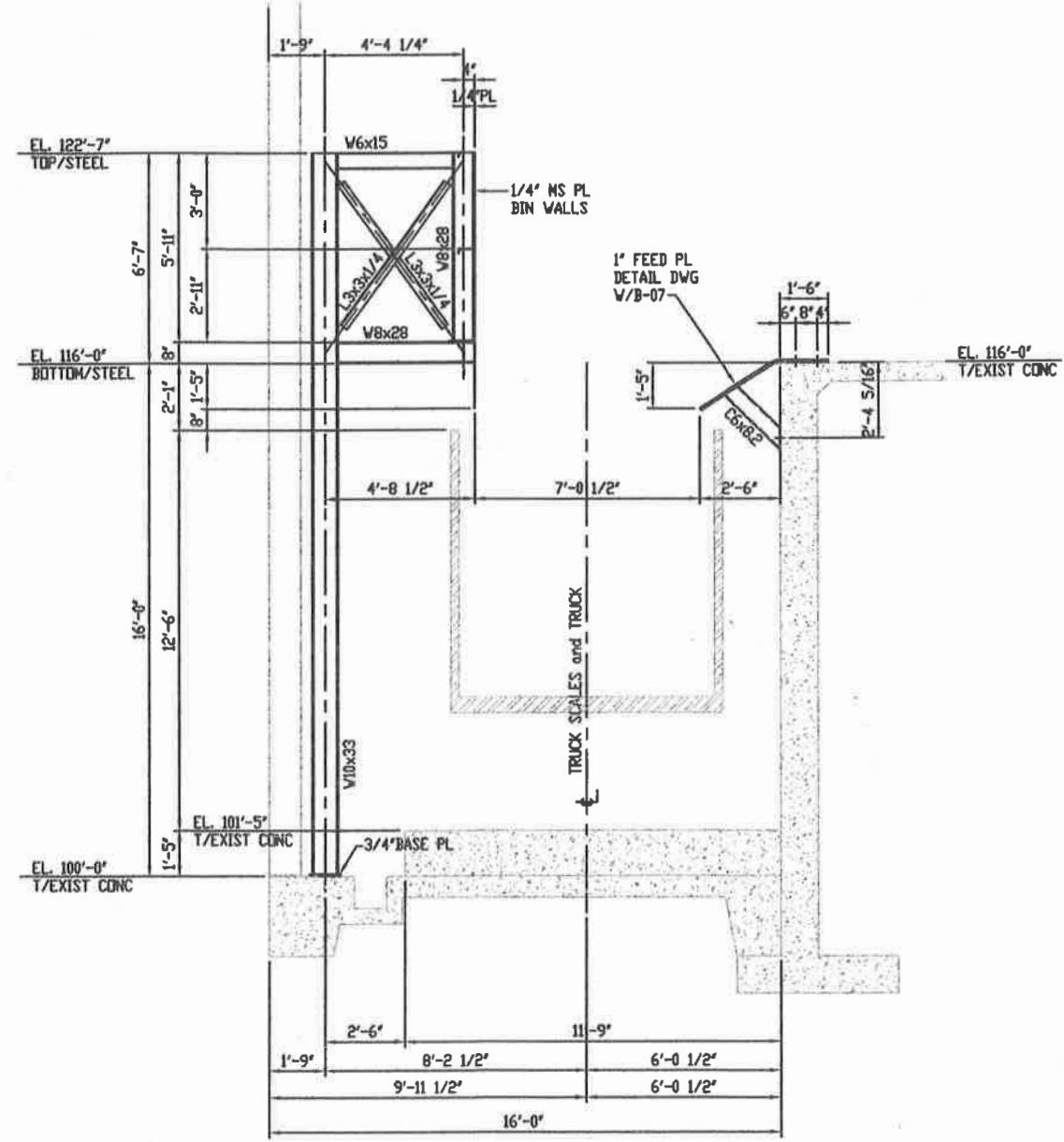
JOB NUMBER
XXXXXXXXXX

CLIENT:	WYTHE / BLAND SOLID WASTE
LOCATION:	WYTHEVILLE, VIRGINIA
PROJECT:	SOLID WASTE TRANSFER STATION BIN SUPPORT
DRAWING NAME:	PLAN VIEW LAYOUT @ EL. 122'-7" TOP OF STEEL and BIN

DRAWN BY:	LC Acord	DATE:	OCT-2019	SCALE:	3/8" = 1'-0"
CHECKED BY:		DATE:		UNLESS NOTED	
DRAWING NUMBER:	W / B 03				REVISION:



ELEVATION SECTION "A - A"



ELEVATION SECTION "B - B"

NOTE:
FOR SECTIONS AND DETAILS
SEE DRAWING W/B-07



Revision #	Revision Description	Revision Date	Revised By
REVISIONS			

**JERRY L. BAYS ENGINEERING
and ASSOCIATES**

PO BOX 407, MOUNT HOPE, WEST VIRGINIA 25821
822 BROAD STREET, MOUNT HOPE, WEST VIRGINIA 25821
EMAIL: jlbays.em@gmail.com
MOBILE PHONE 1-304-675-8016

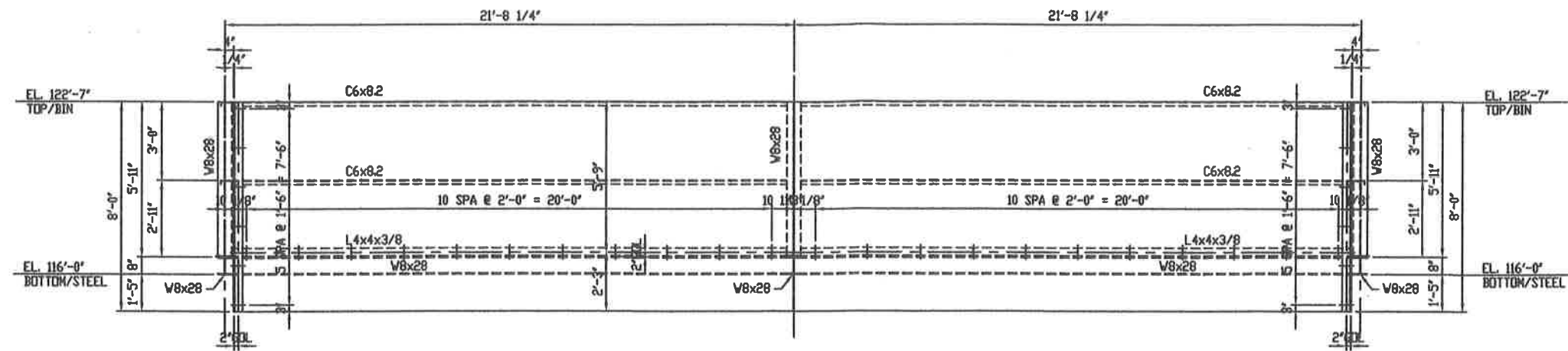
This print and all information
thereon is property of Sophis
Technical Services, Inc.
It is confidential and must not be
made public, altered or copied
unless authorized by Jerry L.
Bays Engineering & Associates. It is
subject to return on demand.

JOB NUMBER
XXXXXXXXXX

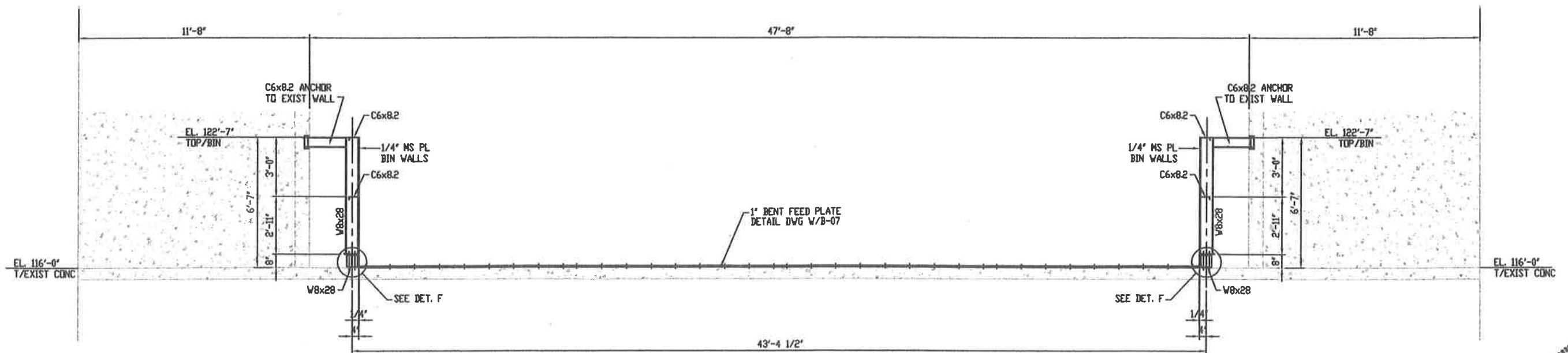
CLIENT: WYTHE / BLAND SOLID WASTE
LOCATION: WYTHEVILLE, VIRGINIA
PROJECT: SOLID WASTE TRANSFER STATION BIN SUPPORT
DRAWING NAME: ELEVATION VIEW SECTION "A-A" and "B-B"

DRAWN BY: LC Acord
CHECKED BY:
DATE: OCT-2019
SCALE: 3/8" = 1'-0"
UNLESS NOTED

DRAWING NUMBER: W/B 04
REVISION:



ELEVATION SECTION "D-D"



ELEVATION SECTION "C-C"

NOTE:
FOR SECTIONS AND DETAILS
SEE DRAWING W/B-07



Revision #	Revision Description	Revision Date	Revised By
REVISIONS			

**JERRY L. BAYS ENGINEERING
and ASSOCIATES**

PO BOX 407, MOUNT HOPE, WEST VIRGINIA 25821
822 BROAD STREET, MOUNT HOPE, WEST VIRGINIA 25821
EMAIL: jlbays.em@gmail.com
MOBILE PHONE 1-304-575-6018

*This print and all information
thereon is property of Stephens
Technical Services, Inc.
It is confidential and must not be
made public, altered, or copied
unless authorized by Jerry L.
Bays Engineering & Associates. It is
subject to return on demand.*

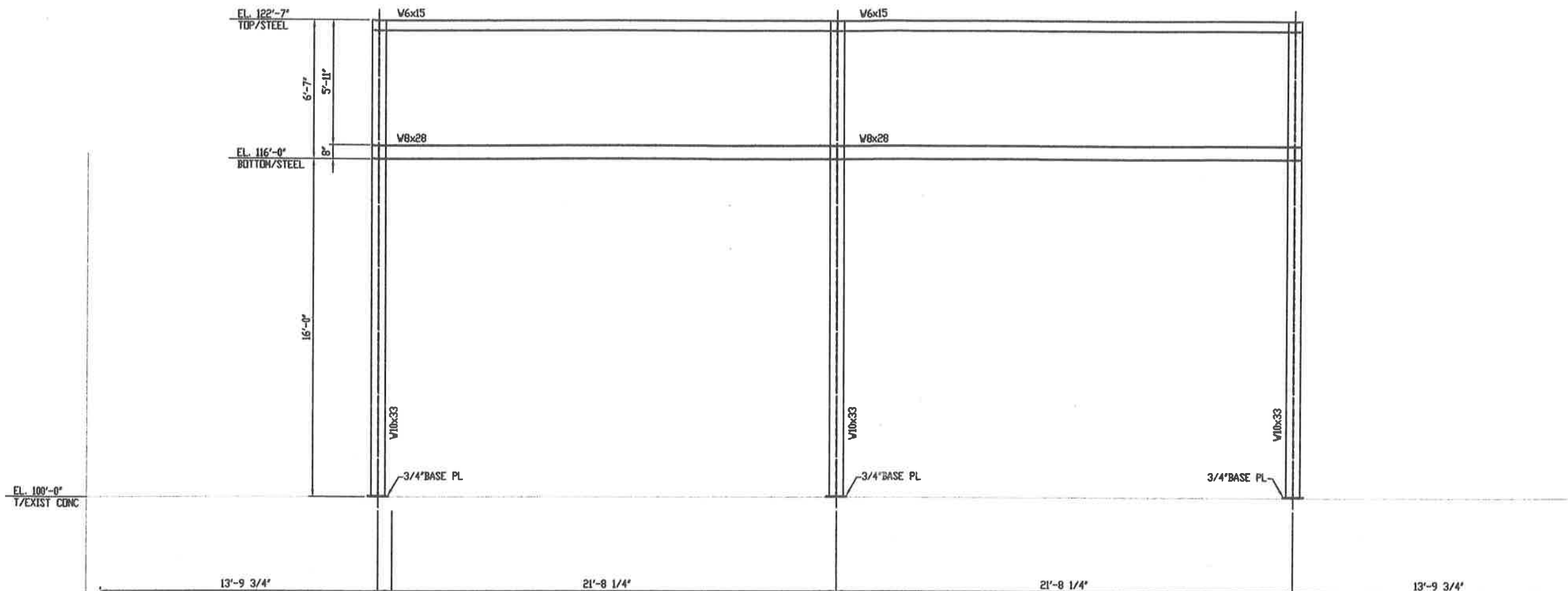
JOB NUMBER
XXXXXXXXXX

CLIENT: WYTHE / BLAND SOLID WASTE
LOCATION: WYTHEVILLE, VIRGINIA
PROJECT: SOLID WASTE TRANSFER STATION BIN SUPPORT
DRAWING NAME: ELEVATION VIEW SECTION "C-C" and "D-D"

DRAWN BY: LC Acord
CHECKED BY:
DATE: OCT-2019

DRAWING NUMBER:
W / B 05

SCALE:
3/8" = 1'-0"
UNLESS NOTED
REVISION



ELEVATION SECTION "E-E"

NOTE:
FOR SECTIONS AND DETAILS
SEE DRAWING W/B-07



Revision #	Revision Description	Revision Date	Revised By
REVISIONS			

**JERRY L. BAYS ENGINEERING
and ASSOCIATES**

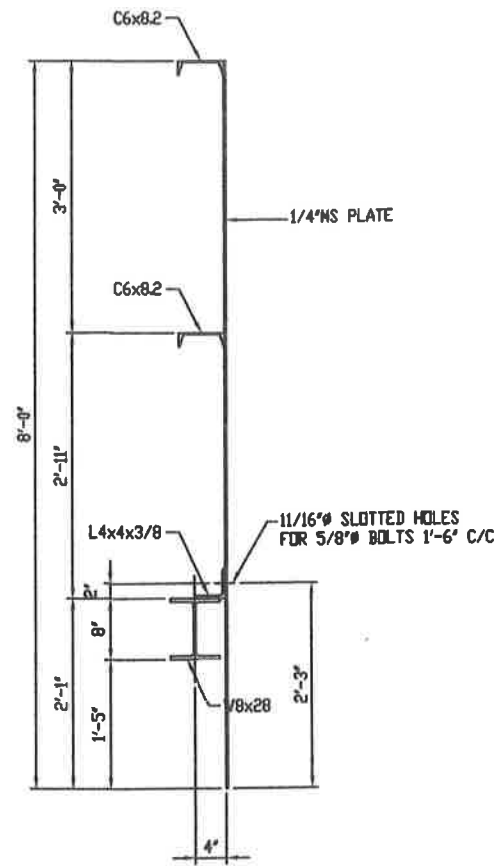
PO BOX 407, MOUNT HOPE, WEST VIRGINIA 25821
922 BROAD STREET, MOUNT HOPE, WEST VIRGINIA 25821
EMAIL: jlbays.em@gmail.com
MOBILE PHONE: 1-304-575-8018

This print and all information thereon is property of Sophi Technical Services, Inc. It is confidential and must not be made public, altered, or copied unless authorized by Jerry L. Bays Engineering & Associates. It is subject to return on demand.

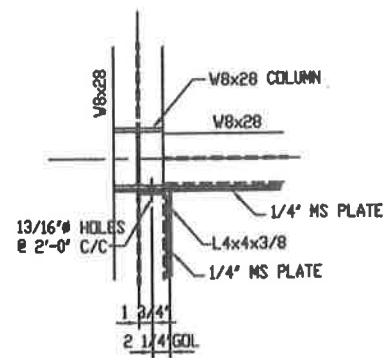
JOB NUMBER
XXXXXXXXXX

CLIENT:	WYTHE / BLAND SOLID WASTE
LOCATION:	WYTHEVILLE, VIRGINIA
PROJECT:	SOLID WASTE TRANSFER STATION BIN SUPPORT
DRAWING NAME:	ELEVATION VIEW SECTION "E=E"

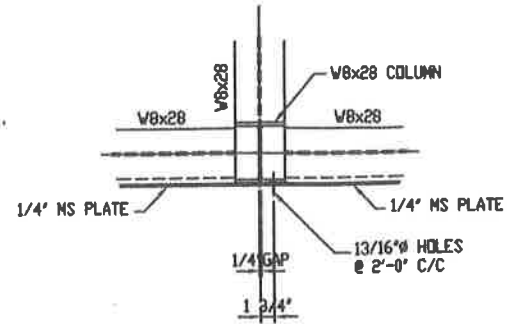
DRAWN BY:	LC Acord	DATE:	OCT-2019	SCALE:	3/8" = 1'-0"
CHECKED BY:		DATE:		UNLESS NOTED	
DRAWING NUMBER:	W / B 06		REVISION:		



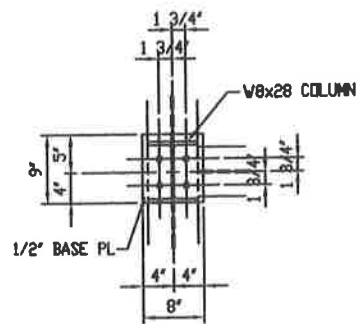
SECTION "a-a"
(TYPICAL)



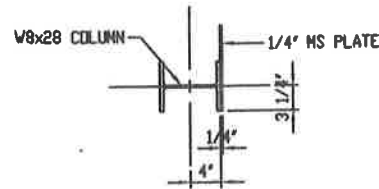
WALL DETAIL "A"



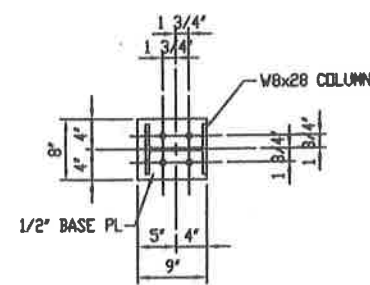
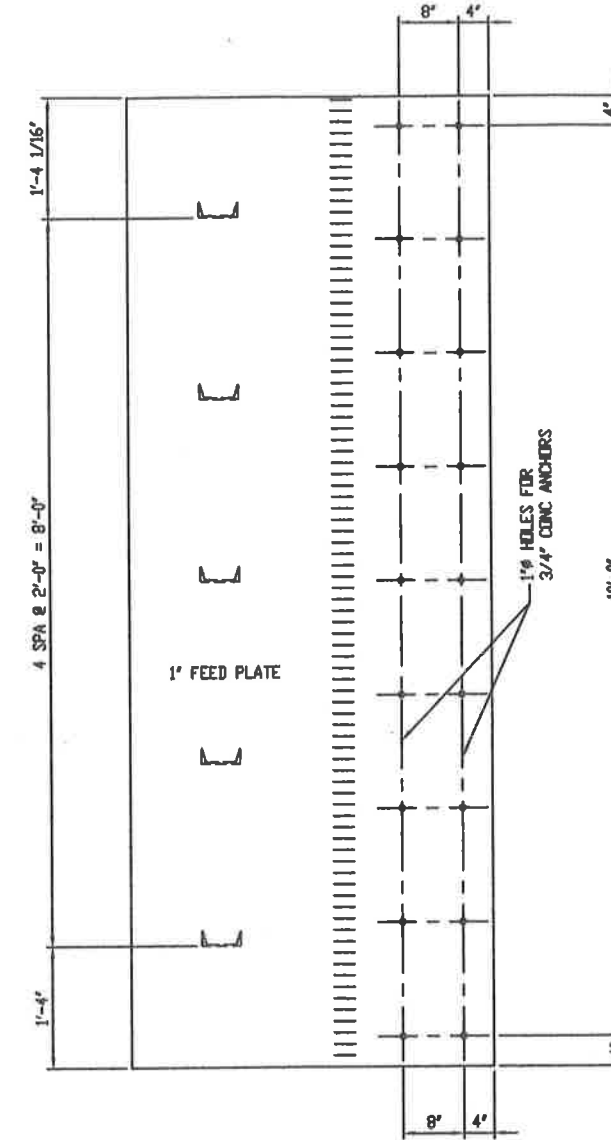
WALL DETAIL "C"



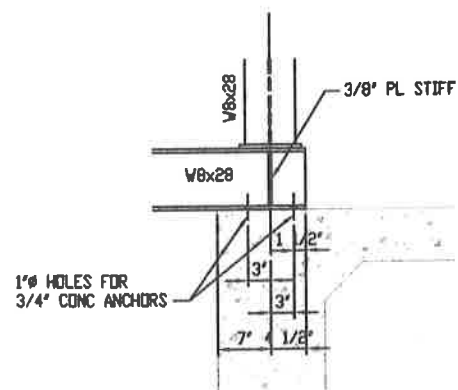
BASE PLATE DETAIL "B"



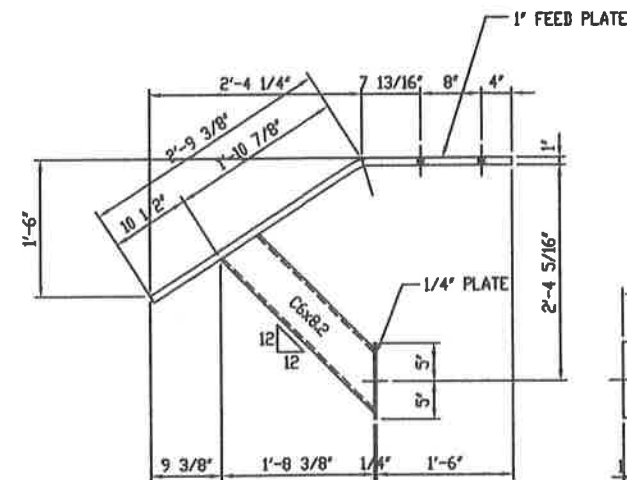
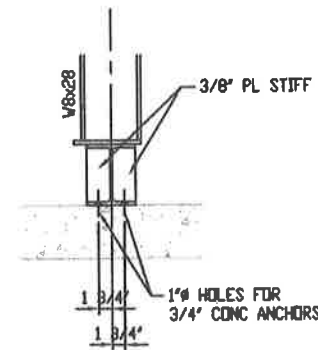
WALL DETAIL "D"



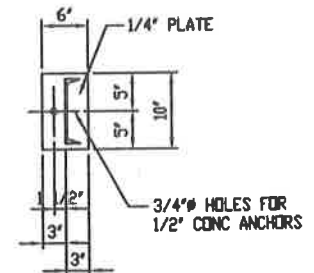
BASE PLATE DETAIL "E"



BASE PLATE DETAIL "F"



FEED PLATE DETAIL



Revision #	Revision Description	Revision Date	Revised By
REVISIONS			

JERRY L. BAYS ENGINEERING and ASSOCIATES
 PO BOX 407, MOUNT HOPE, WEST VIRGINIA 25821
 822 BROAD STREET, MOUNT HOPE, WEST VIRGINIA 25821
 EMAIL: jlbays.era@gmail.com
 MOBILE PHONE 1-304-676-8018

This print and all information therein is property of Sophia Technical Services, Inc. It is confidential and must not be made public, altered, or copied unless authorized by Jerry L. Bays Engineering & Associates. It is subject to return on demand.

JOB NUMBER
XXXXXXXXXX

CLIENT:	WYTHE / BLAND SOLID WASTE
LOCATION:	WYTHEVILLE, VIRGINIA
PROJECT:	SOLID WASTE TRANSFER STATION BIN SUPPORT
DRAWING NAME:	MISCELLANEOUS SECTIONS and DETAILS

DRAWN BY:	LC Acord	DATE:	OCT-2019	SCALE:	1" = 1'-0"
CHECKED BY:		DATE:		UNLESS NOTED	
DRAWING NUMBER:	W/B 07		REVISION:		